

# **PAMS Technical Documentation**

## **NSD-3 Series Transceivers**

# **General Information**

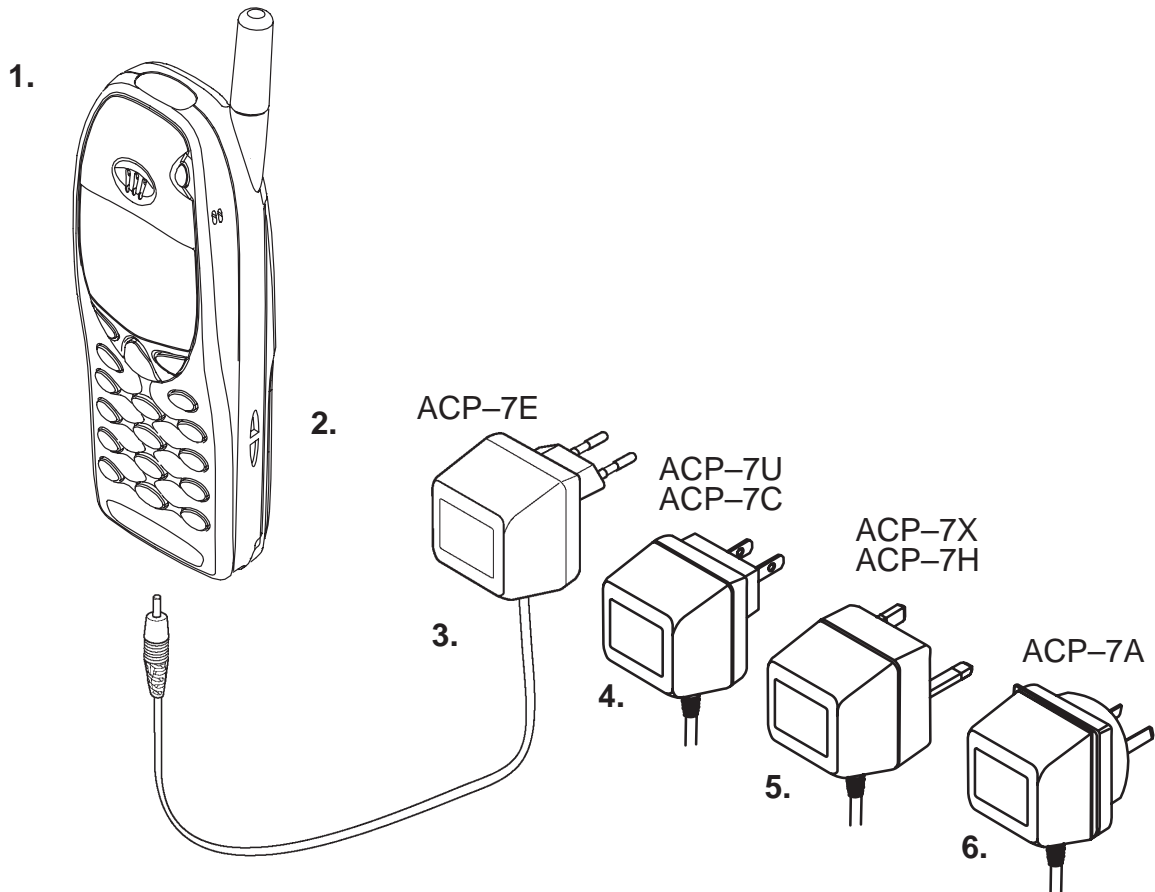
## CONTENTS

Product Selection .....	2 – 3
Handportables .....	2 – 3
Desktop Option .....	2 – 4
Basic Car Kit (CARK-64) Options .....	2 – 5
Advanced Hands Free Car Installation (CARK-91) Options .....	2 – 6
Product and Module List .....	2 – 7
Technical Specifications .....	2 – 8
General Specifications of Transceiver NSD-3 .....	2 – 8

## Product Selection

### Handportables

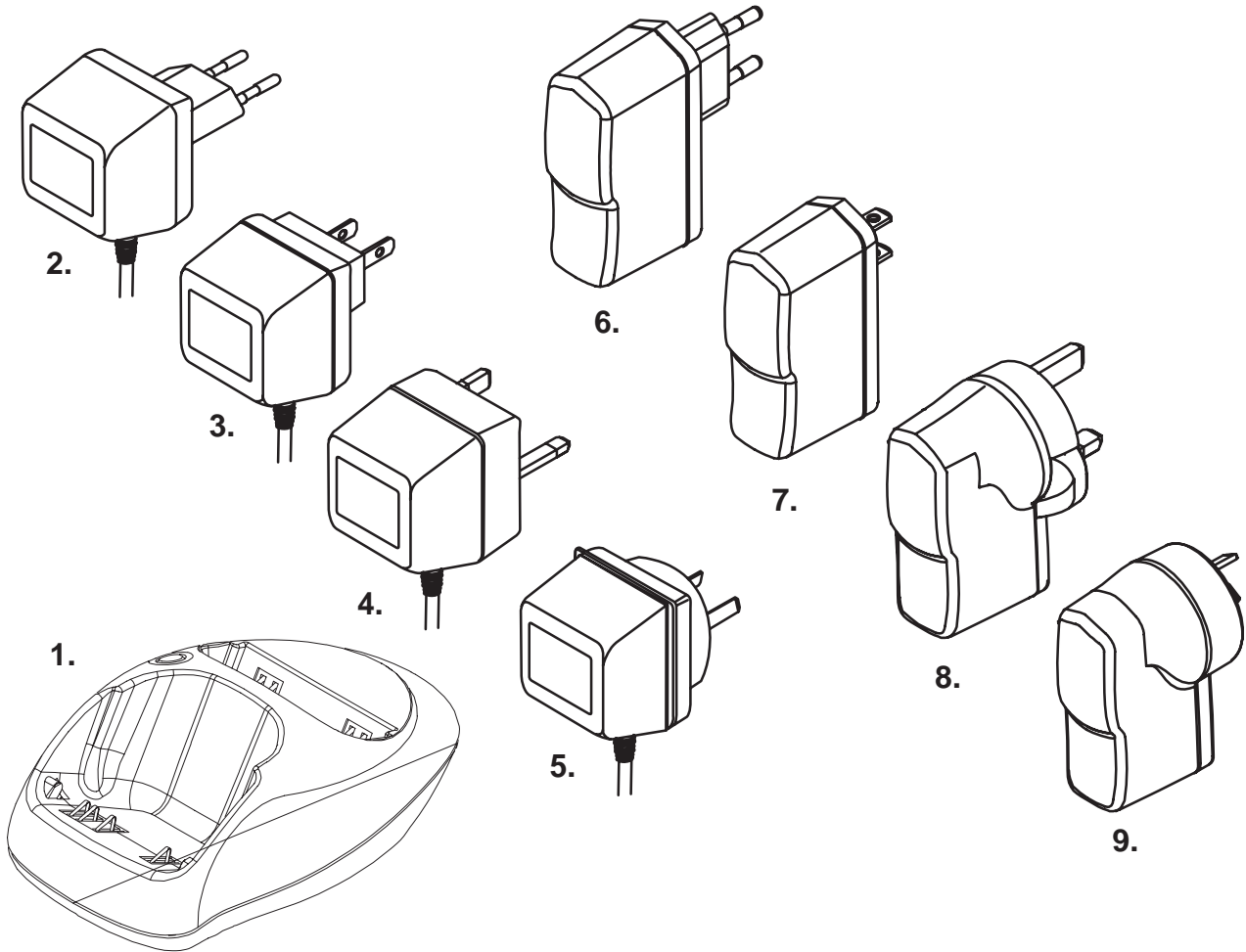
The NSD-3 is a handportable mobile telephone for the CDMA800/1900 and AMPS 800 networks.



Item Name:	Type code:	Material code:
1. Transceiver	(See Product Variants section)	
2. Standard battery (NiMH 900 mAh)	BMS-2	0670203
3. AC Travel Charger (Euro plug) 207-253 Vac	ACP-7E	0675144
4. AC Travel Charger (US plug) 108-132 Vac	ACP-7U	0675143
AC Travel Charger (US plug) 198-242 Vac	ACP-7C	0675158
5. AC Travel Charger (UK plug) 207-253 Vac	ACP-7X	0675145
AC Travel Charger (UK plug) 180-220 Vac	ACP-7H	0675146
6. AC Travel Charger (Australia) 216-264 Vac	ACP-7A	0675148

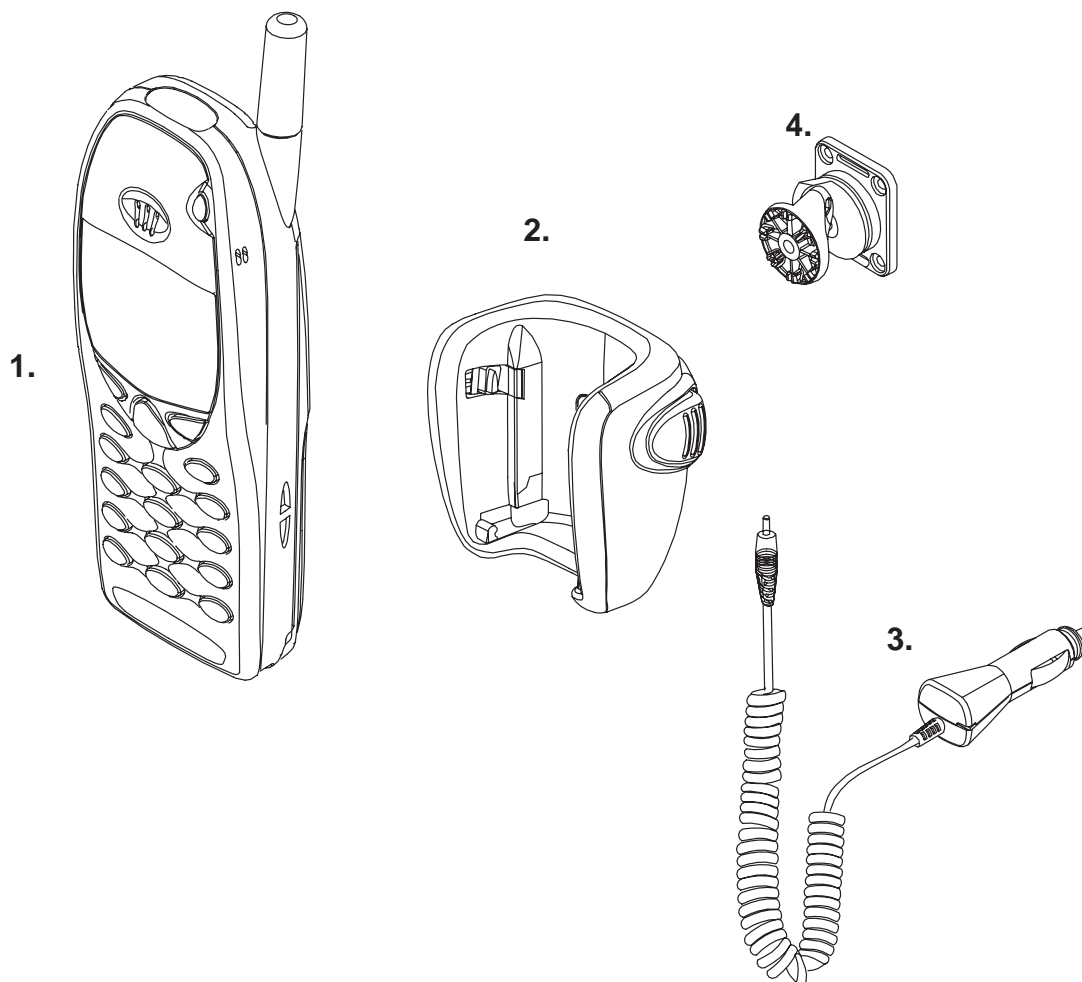
## Desktop Option

The desktop option allows the user to charge the handportable and spare battery from mains.



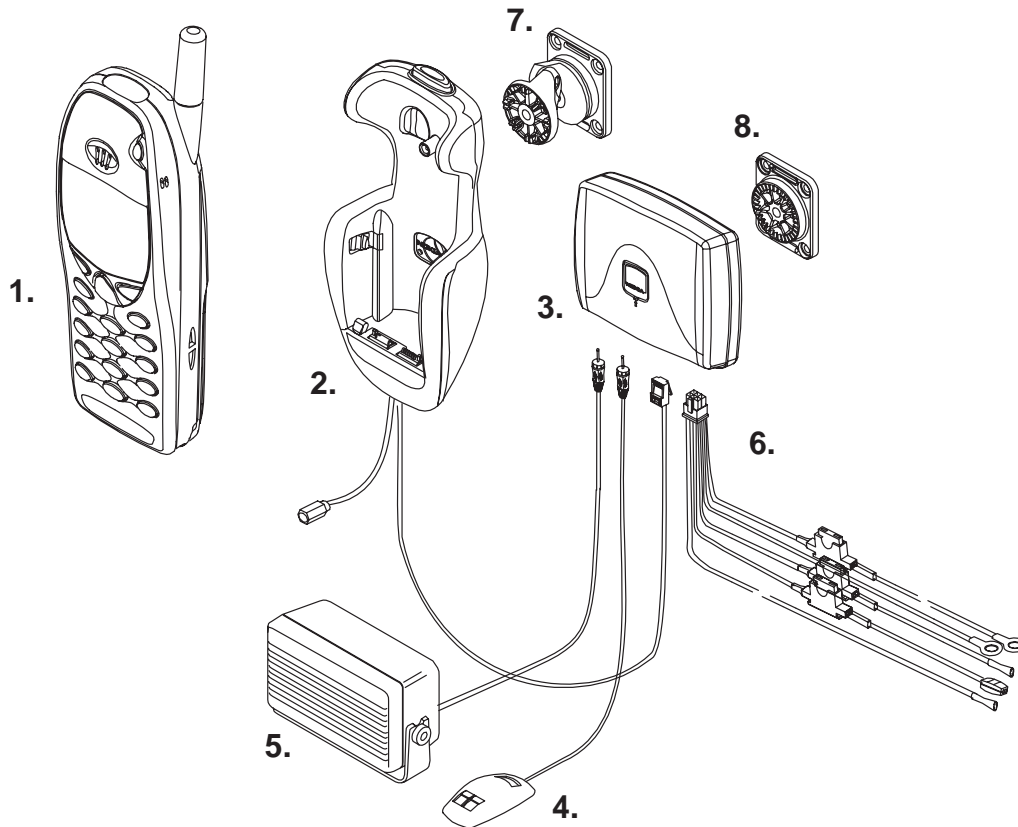
Item Name:	Type code:	Material code:
1. Desktop stand	DCH-9	0700049
2. AC Travel Charger (Euro plug) 207-253 Vac	ACP-7E	0675144
3. AC Travel Charger (US plug) 108-132 Vac	ACP-7U	0675143
AC Travel Charger (US plug) 198-242 Vac	ACP-7C	0675158
4. AC Travel Charger (UK plug) 207-253 Vac	ACP-7X	0675145
AC Travel Charger (UK plug) 180-220 Vac	ACP-7H	0675146
5. AC Travel Charger (Australia) 216-264 Vac	ACP-7A	0675148
6. Fast Travel Charger (Euro plug) 90-264 Vac	ACP-9E	0675149
7. Fast Travel Charger (US plug) 90-264 Vac	ACP-9U	0675151
8. Fast Travel Charger (UK plug) 90-264 Vac	ACP-9X	0675150
9. Fast Travel Charger (Australia) 90-264 Vac	ACP-9A	0675152

## Basic Car Kit (CARK-64) Options



Item Name:	Type code:	Material code:
1. Transceiver	(See Product Variants section)	
2. Mobile Holder	MBC-1	0700060
3. Cigarette Lighter Charger	LCH-9	0657120
4. Swivel Mount	HHS-9	0620037

## Advanced Hands Free Car Installation (CARK-91) Options



Item Name:	Type code:	Material code:
1. Transceiver	(See Product Variants section)	
2. Mobile Holder	MCC-1	0620043
3. Hands Free Unit	HFU-2	0694049
4. Hands Free Microphone	HFM-8	0690016
5. Hands Free Speaker	HFS-12	0692008
6. Power Cable	PCH-4J	0730055
7. Swivel Mount	HHS-9	0620037
8. Mounting Plate	MKU-1	0620036

## Product and Module List

<b>Unit/type:</b>	<b>Product code:</b>
Transceiver NSD-3	See Product Variants section
Slim Battery BLS-2 900 mAh	0670206
Standard Battery BMS-2S 900 mAh NiMH	0670225
Standard Battery BMS-2 900 mAh	0670203
Vibrator Battery BMS-2V 900 mAh +	0670204
Extended Battery BLS-4 1500 mAh	0670207
AC Travel Charger ACP-7E (EUR) 207-253 Vac	0675144
AC Travel Charger ACP-7U (US) 108-132 Vac	0675143
AC Travel Charger ACP-7C (US) 198-242 Vac	0675158
AC Travel Charger ACP-7X (UK) 207-253 Vac	0675145
AC Travel Charger ACP-7H (UK) 180-220 Vac	0675146
AC Travel Charger ACP-7X (AUS) 216-264 Vac	0675148
Fast Travel Charger ACP-9E (EUR) 90-264 Vac	0675149
Fast Travel Charger ACP-9U (US) 90-264 Vac	0675151
Fast Travel Charger ACP-9X (UK) 90-264 Vac	0675150
Fast Travel Charger ACP-9A (AUS) 90-264 Vac	0675152
Cigarette Lighter Charger LCH-9	0675120
Desktop Stand DCH-9	0675174
Mobile Holder MBC-1	0700060
Mobile Holder MCC-1	0620043
Handsfree Unit HFU-2	0694049
Power Cable PCH-4J	0730055
HF Microphone HFM-8	0690016
HF Speaker HFS-12	0692008
Mounting Plate MKU-1	0620036
Swivel Mount HHS-9	0620037
Headset HDC-9	0694053
Loopset LPS-1	0694060
Belt Clip BCH-12	0720098
External Antenna Cable XRC-1	0730103
Data Adapter Cable DAC-2	0730106

## Technical Specifications

### General Specifications of Transceiver NSD-3

Parameter	Unit
Cellular system	CDMA 800 / CDMA1900 / AMPS 800
RX frequency band	869-894 / 1930-1990 / 869-894 MHz
TX frequency band	824-849 / 1850-1910 / 824-849 MHz
Duplex spacing	45 / 80 / 45 MHz
Number of RF channels	- / 1200 / -
Channel spacing	30 / 50 / 30 kHz
Number of TX power levels	-50 dBm to max power